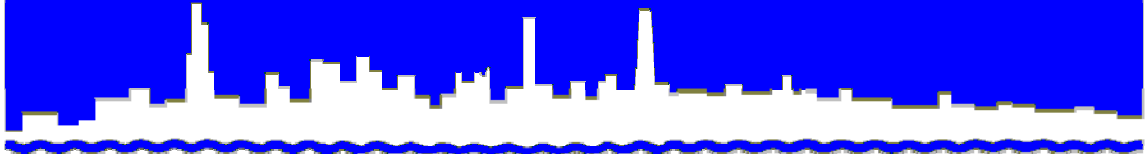


Protecting Our Water Environment



Metropolitan Water Reclamation District of Greater Chicago

***MONITORING AND RESEARCH
DEPARTMENT***

REPORT NO. 09-26

MONTHLY CONTROLLED SOLIDS

DISTRIBUTION REPORT

JANUARY 2009

APRIL 2009

Terrence J. O'Brien
President
Kathleen Therese Meany
Vice President
Gloria Alitto Majewski
Chairman of Finance
Frank Avila
Patricia Horton
Barbara J. McGowan
Cynthia M. Santos
Debra Shore

Metropolitan Water Reclamation District of Greater Chicago

100 EAST ERIE STREET CHICAGO, ILLINOIS 60611-3154 312.751.5190

Louis Kollias, P.E., BCEE
Director of Monitoring and Research
louis.kollias@mwr.org

April 14, 2009

Mr. S. Alan Keller, P.E.
Manager, Permit Section
Illinois Environmental
Protection Agency
1021 North Grand Avenue East
P.O. Box 19276
Springfield, IL 62794-9276

Dear Mr. Keller:

Subject: Metropolitan Water Reclamation District of Greater Chicago – Controlled Solids Distribution Program, Illinois Environmental Protection Agency Permit No. 2005-SC-3793, January 2009

This letter transmits information and data for the Metropolitan Water Reclamation District of Greater Chicago - Controlled Solids Distribution Program for January 2009, as required by Illinois Environmental Protection Agency Permit No. 2005-SC-3793.

Sludge flow schematic diagrams for solids processed during January 2009 are shown in Figure 1 - John E. Egan Water Reclamation Plant (WRP), Figure 2 - Calumet WRP, and Figure 3 - Stickney WRP.

No biosolids were distributed to any site in January 2009.

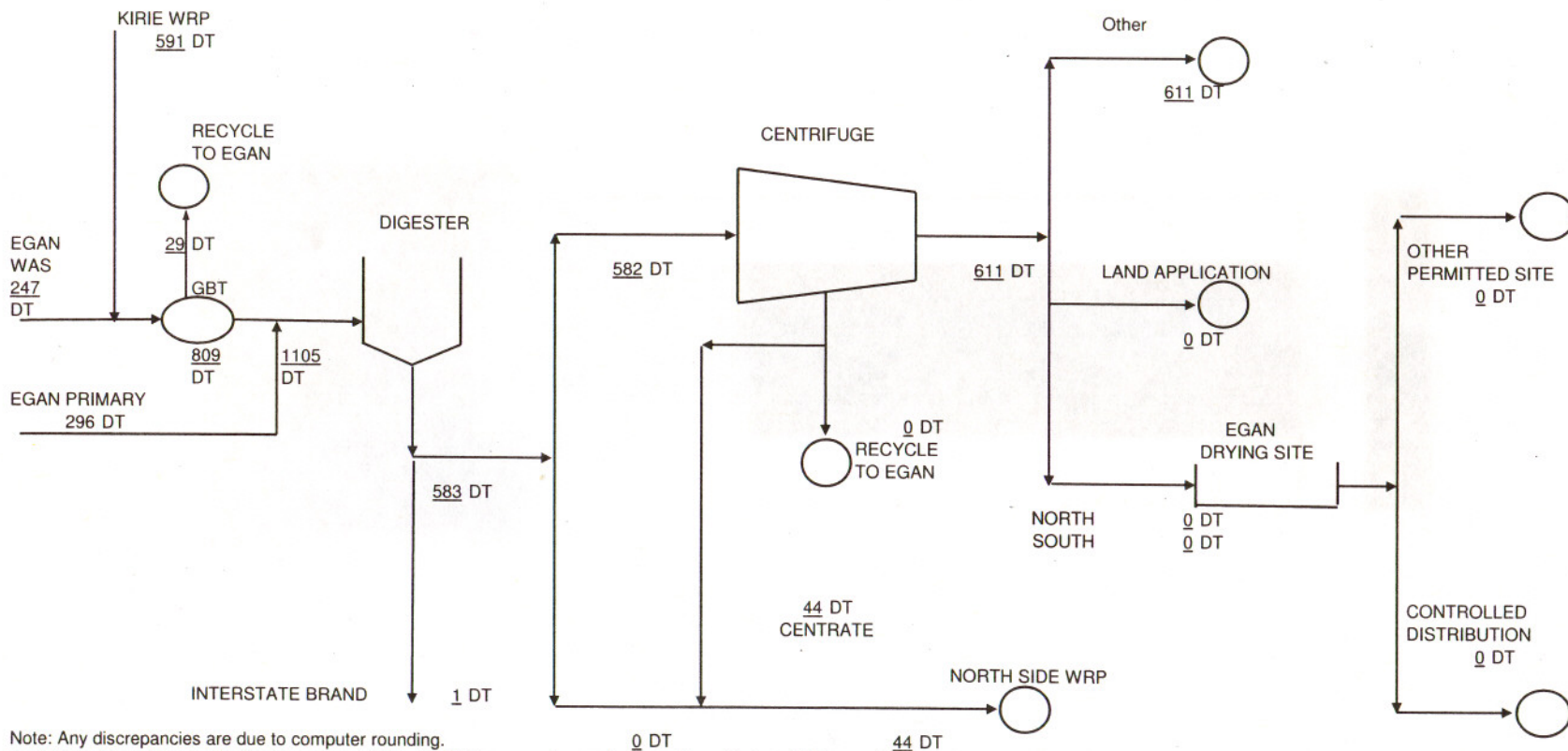
Very truly yours,

Louis Kollias
Director
Monitoring and Research

LK:KK:kq
Attachments
cc: Aistars (USEPA)
Sulski (IEPA)
Sobanski
Granato/O'Connor/Cox

J.E. EGAN WRP SOLIDS DISTRIBUTION- FIGURE 1

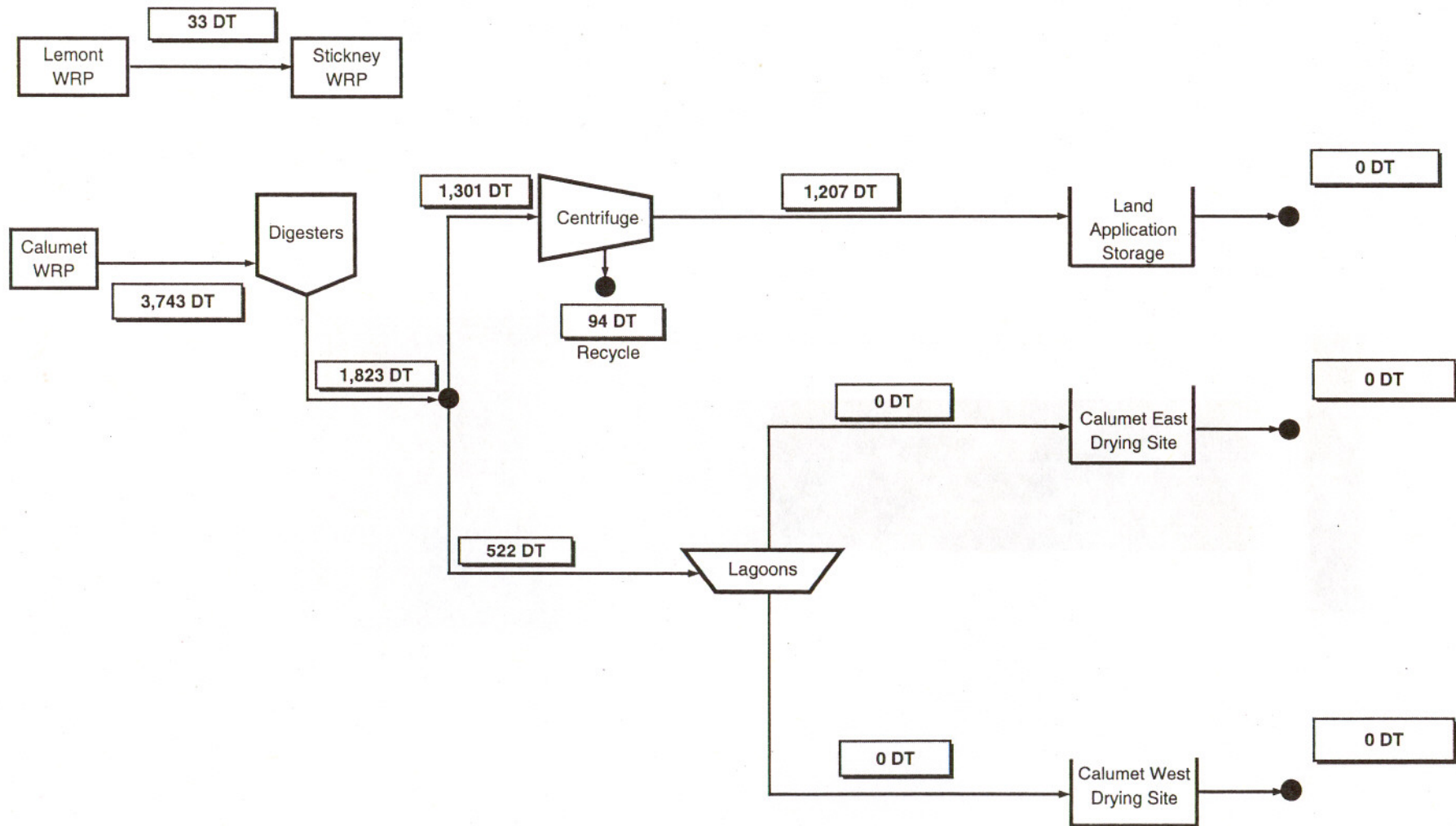
January-09



Note: Any discrepancies are due to computer rounding.
Centrifuge draw DT exceeds Centrifuge feed DT by 29 DT because of sample anomalies. Centrate DT are estimated to be approximately 44 DT.

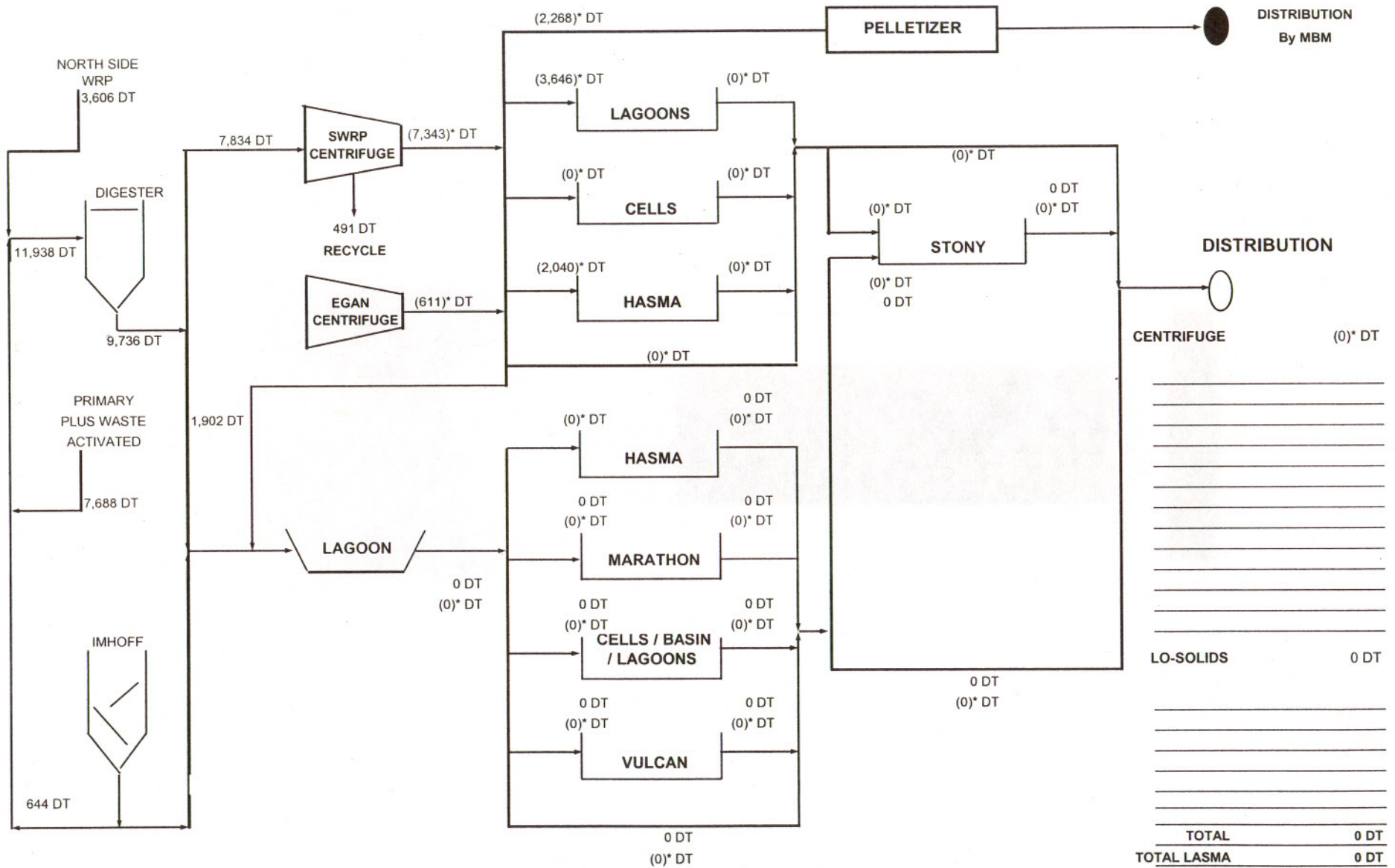
CALUMET WRP SOLIDS DISTRIBUTION - January 2009

Figure 2



STICKNEY WATER RECLAMATION PLANT SOLIDS DISTRIBUTION FOR JANUARY 2009

Figure 3



(CENTRIFUGE CAKE)*

ig 4/3/09